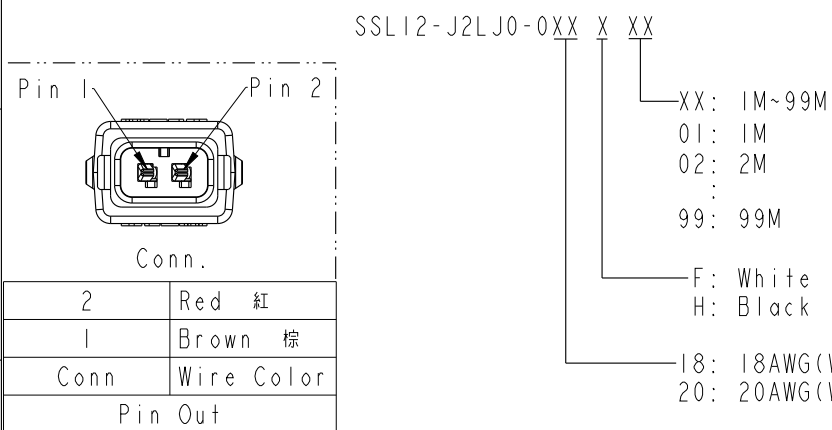
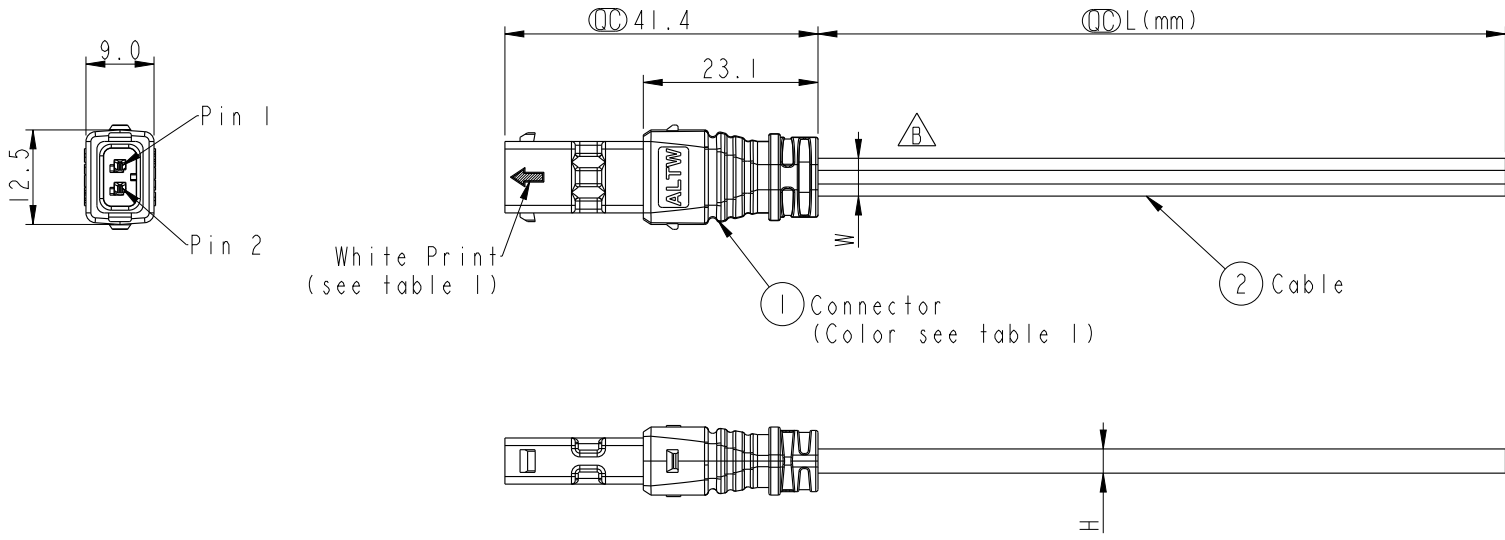


THIS DOCUMENT IS SUBJECT TO CHANGE WITHOUT NOTICE. IT IS CONFIDENTIAL AND A PROPERTY OF AMPHENOL LTW. DISCLOSURE TO THIRD PARTY HAS TO BE AUTHORIZED BY AMPHENOL LTW.

Table 1:

P/N.	connector	Cable	White Print
SSL12-J2LJ0-0XXFXX	White	White	Without
SSL12-J2LJ0-0XXHXX	Black	Black	With

REV.	ECN NO.	DATE	SIGN	DESCRIPTION
A	Initial Release	2017-05-16	Fisher Wang	Rev. 01 to A
B	C210960	2021-06-25	Carl Dong	$\triangle B$ x1



Cable Length Tolerance:

01M: ±40mm
 02M~06M: ±60mm
 06M~10M: ±100mm
 11M~30M: ±200mm
 31M~99M: ±500mm

- Notes:
- * ⌀ Important Dimension To Check.
 - * Current Rating: 5A
 - * Voltage Rating: 300V DC/AC
 - * Waterproof Rate: IP68(mating)
 1M Depth Of Water In 24 Hours.
 - * Housing: Thermoplastic, UL94V-0,
 color see table 1.
 - * Terminal: Copper Alloy, Gold Plated.
 - * Seals: Silicone, Gray.
 - * Cable: UL21996, Flat Cable, UV Resistance,
 color see table 1.
 - * Temperature Range: -40~+105℃

UNIT:mm	⌀	⌀	TITLE SSL1.2 2P, JACK CONN+FLAT CABLE
± 0.5	SCALE Free	SIZE A4	SHEET 1 OF 1
	REV. B	WC-REV. A.2	⌀ : Inspection item

Amphenol LTW 安費諾亮泰企業股份有限公司	ITEM NO	DRAWN BY Fisher Wang	DATE 2017-05-16
	DWG NO SSL12-J2LJ0-0XXXXX	CHECKED BY Victor Hung	DATE 2017-05-16
	CUSTOMER ALTW	APPROVED BY Kevin Hu	DATE 2017-05-16