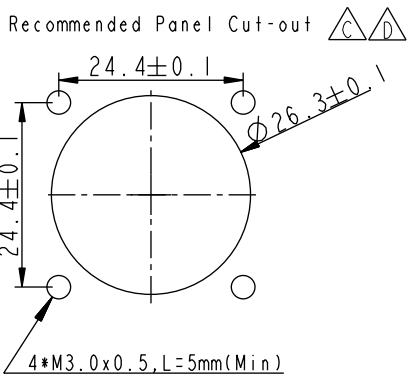
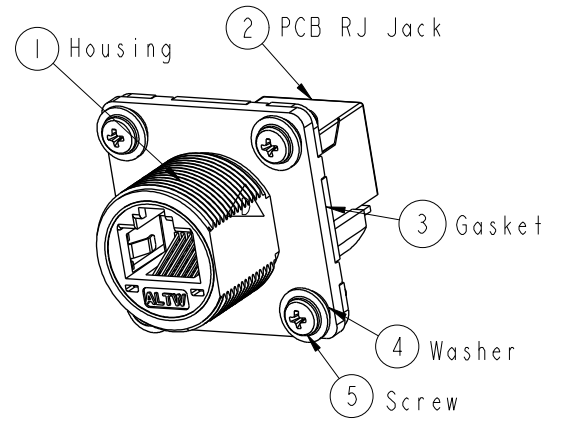
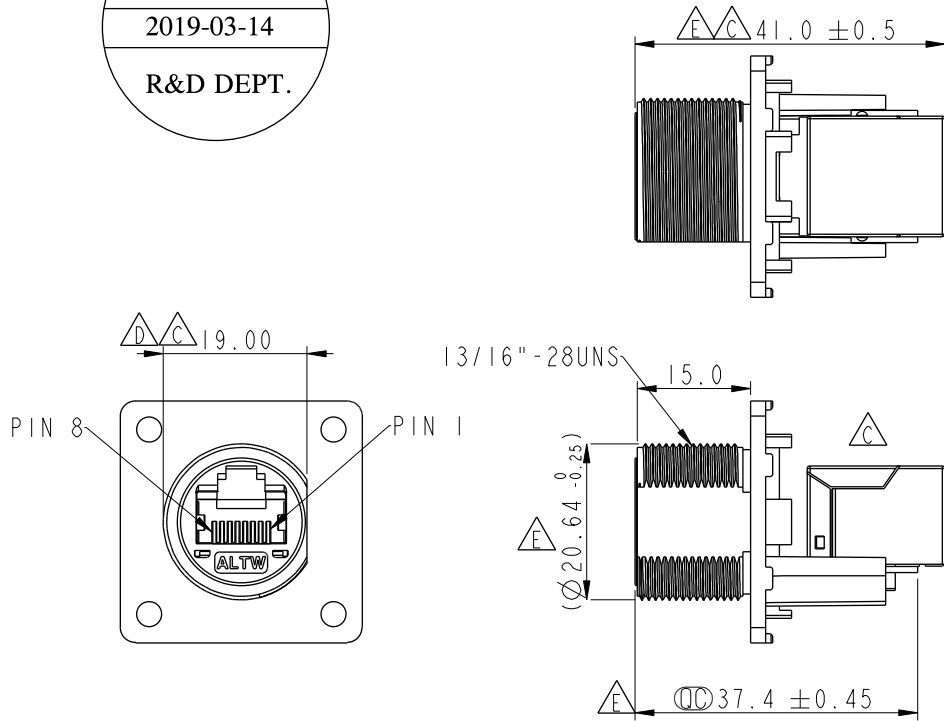


ALTW  
CONFIDENTIAL  
2019-03-14  
R&D DEPT.

REV.	ECN NO.	DATE	SIGN	DESCRIPTION
D	LE31480161	2014-07-14	Tom	Change D Cut,Gasket
E	LEN1810067	2017-11-28	Jalam	Change The Tolerance
F	CI90405	2019/03/14	Ruru	Modify Note



- Note:
- \*  $\text{CC}$  Important Dimension
  - \* Waterproof Rate : IP67, Mated
  - \* Housing: Thermoplastic, Black
  - \* Screw : S.STEEL, M3\*0.5 L=8.0
  - \* Gasket : Rubber, Gray.
  - \* PCB: FR-4
  - \* Jack : Thermoplastic
  - \* Screw torsion value range: 3~3.5kgf-cm
  - \* Temperature Range: -40°C to 105°C

UNIT: mm			TITLE RJ45,C SIZE,MATED WATERPROOF SQUARE
TOLERANCE .X ±0.25 .XX ±0.1 .XXX ±0.05 ANGLES ±1°	SCALE 1:1	SIZE A4	SHEET 1 OF 2
REV. F	WC-REV. C.5	$\text{CC}$ : Inspection item	

**Amphenol LTW**  
安費諾亮泰企業股份有限公司

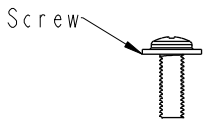
ITEM NO RCP-5SPFFH-SSM7001	DRAWN BY Ruru	DATE 2019-03-14
DWG NO RCP-5SPFFH-SSM7001	CHECKED BY Rita	DATE 2019-03-14
CUSTOMER ALTW	APPROVED BY Max	DATE 2019-03-14

THIS DOCUMENT IS SUBJECT TO CHANGE WITHOUT NOTICE. IT IS CONFIDENTIAL AND A PROPERTY OF Amphenol LTW. DISCLOSURE TO THIRD PARTY HAS TO BE AUTHORIZED BY Amphenol LTW.

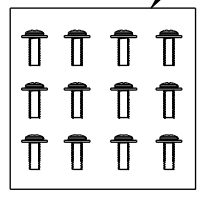
THIS DOCUMENT IS SUBJECT TO CHANGE WITHOUT NOTICE. IT IS CONFIDENTIAL AND A PROPERTY OF AMPHENOL LTW. DISCLOSURE TO THIRD PARTY HAS TO BE AUTHORIZED BY AMPHENOL LTW.

**ALTW**  
 CONFIDENTIAL  
 2019-03-14  
 R&D DEPT.

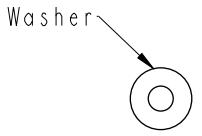
Packing



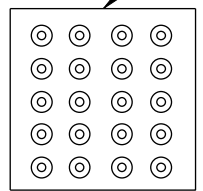
X576PCS



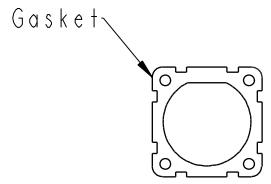
⑥ PE Bag



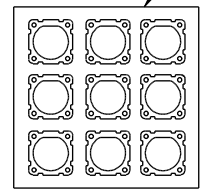
X576PCS



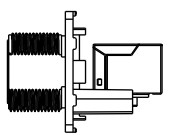
⑦ PE Bag



X144PCS



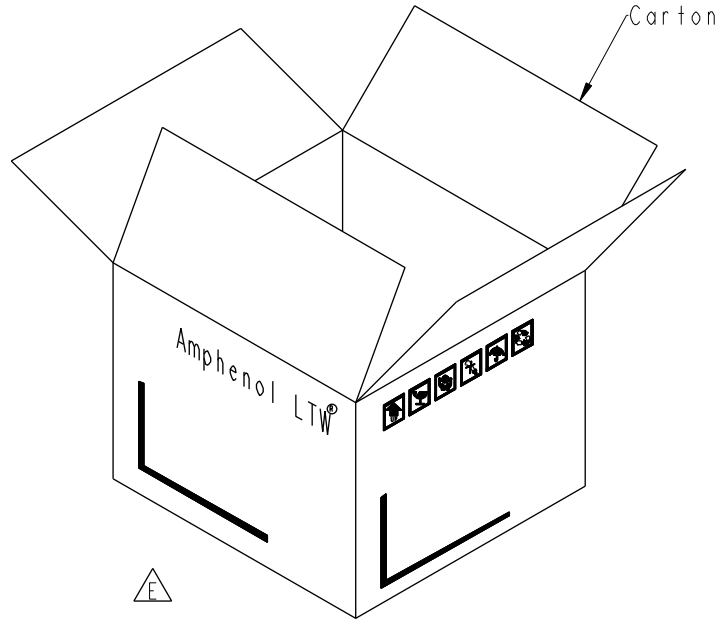
⑧ PE Bag



X144PCS



6盒



Note:  
 \* Important Dimension  
 \* IPCS產品配 IPCS Gasket, 4PCS Washer, 4PCS Screw  
 \* 配件的出貨數量參考實際產品出貨數量

UNIT: mm		
TOLERANCE		
.X	±0.25	
.XX	±0.1	
.XXX	±0.05	
ANGLES	±1°	

TITLE RJ45, C SIZE, MATED WATERPROOF SQUARE		
SCALE 1:1	SIZE A4	SHEET 2 OF 2
REV. F	WC-REV. C.5	Inspection item

**Amphenol LTW**  
 安費諾亮泰企業股份有限公司

ITEM NO RCP-5SPFFH-SSM7001	DRAWN BY Ruru	DATE 2019-03-14
DWG NO RCP-5SPFFH-SSM7001	CHECKED BY Rita	DATE 2019-03-14
CUSTOMER ALTW	APPROVED BY Max	DATE 2019-03-14