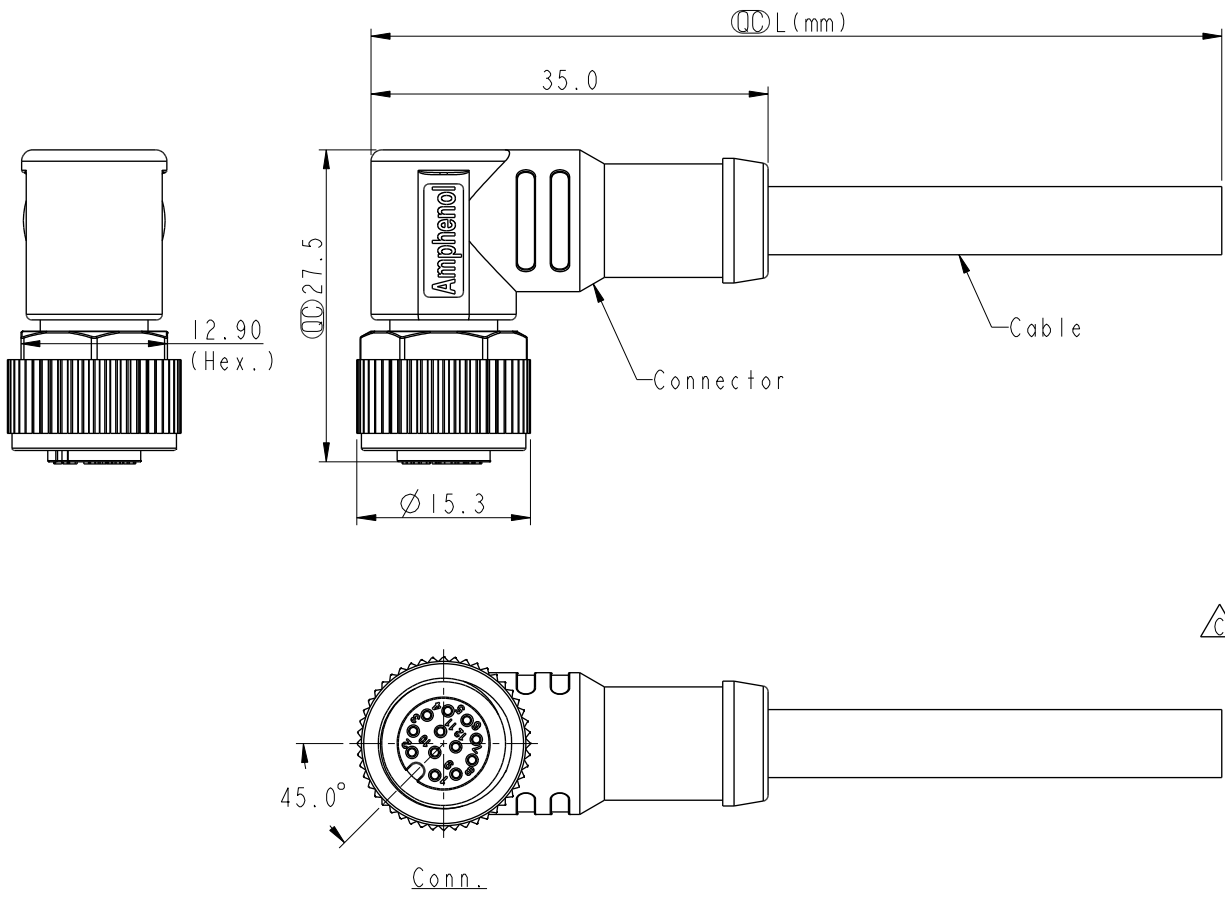


THIS DOCUMENT IS SUBJECT TO CHANGE WITHOUT NOTICE. IT IS CONFIDENTIAL AND A PROPERTY OF Amphenol LTW. DISCLOSURE TO THIRD PARTY HAS TO BE AUTHORIZED BY Amphenol LTW.

REV.	ECN NO.	DATE	SIGN	DESCRIPTION
E	C201596	2020/10/16	Ruru	X5
F	C210220	2021/03/02	Vicky	X4
G	C221891	2022/12/16	Vicky	X1



Note:

- * RoHS Compliant
- * Important dimension
- * Waterproof rate: IP68, mated 1m/24h
IP69K, mated

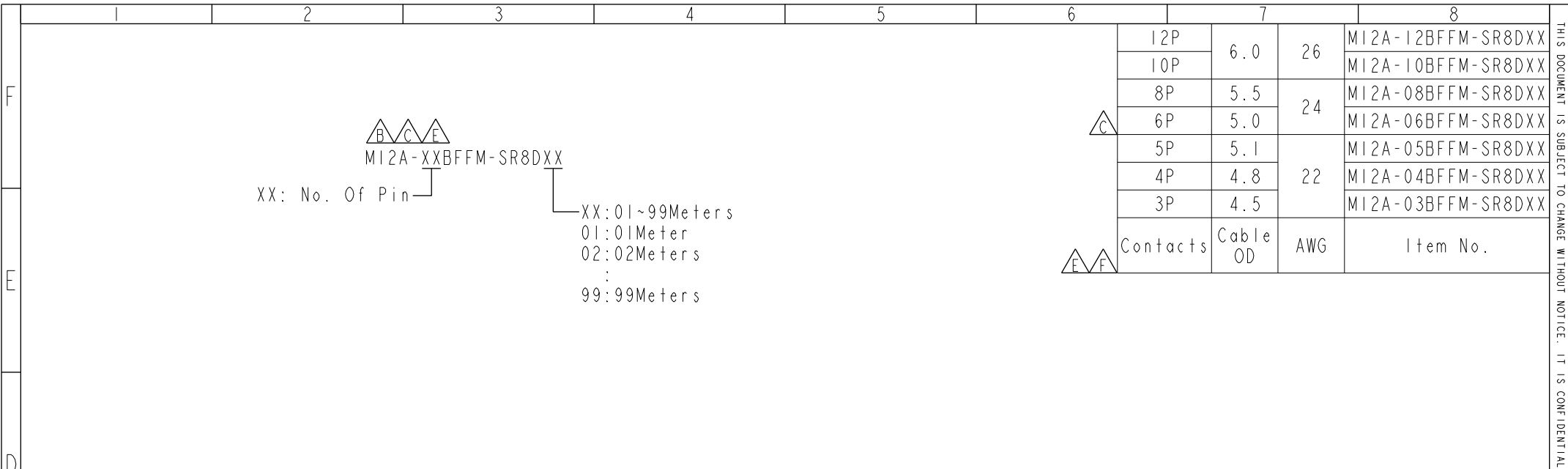
- * Connector
- Housing: Thermoplastic, Black
- Pin: Copper alloy, Gold plated
- O-Ring: Rubber, Green
- Nut: Metal
- Outer mold: Thermoplastic, Black
- * Cable: UL2517, PVC Jacket, Black
- * Cable length tolerance: 1M: +50/-0 mm
1M < L ≤ 3M: +100/-0 mm
3M < L ≤ 5M: +150/-0 mm
5M < L ≤ 10M: ±100 mm
10M < L ≤ 20M: ±200 mm
20M < L ≤ 30M: ±300 mm
30M < L ≤ 99M: ±500 mm

UNIT: mm
TOLERANCE
±0.5mm

TITLE N SEN, M12 A, SCREW CABLE W/O SR, F, F, MOLDING			
SCALE 3:2	SIZE A4	SHEET 1 OF 2	
REV. G	WC-REV. A.2	Inspection item	


Amphenol LTW
安費諾亮泰企業股份有限公司

ITEM NO.	DRAWN BY Lingpeng	DATE 2017-04-06
DWG NO. M12A-XXBFFM-SR8DXX	CHECKED BY Ma Fei	DATE 2017-04-06
CUSTOMER ALTW	APPROVED BY Jerry	DATE 2017-04-06



Pin Out	5 --	5 --	5 Gray 灰	8 --	8 Red 紅	12 --	12 Red/Blue 紅/藍
	4 Black 黑	4 Black 黑	4 Black 黑	7 Blue 藍	7 Blue 藍	11 --	11 Gray/Pink 灰/粉
3 Blue 藍	3 Blue 藍	3 Blue 藍	6 Pink 粉	6 Pink 粉	10 Violet 紫	10 Violet 紫	
2 --	2 White 白	2 White 白	5 --	5 Gray 灰	9 Black 黑	9 Black 黑	
1 Brown 棕	1 Brown 棕	1 Brown 棕	4 Yellow 黃	4 Yellow 黃	8 Red 紅	8 Red 紅	
			3 Green 綠	3 Green 綠	7 Blue 藍	7 Blue 藍	
			2 Brown 棕	2 Brown 棕	6 Pink 粉	6 Pink 粉	
			1 White 白	1 White 白	5 Gray 灰	5 Gray 灰	
					4 Yellow 黃	4 Yellow 黃	
					3 Green 綠	3 Green 綠	
					2 Brown 棕	2 Brown 棕	
					1 White 白	1 White 白	
Pin # Wire	Pin # Wire	Pin # Wire	Pin # Wire	Pin # Wire	Pin # Wire	Pin # Wire	Pin # Wire

Pin Assignments Front View

UNIT:mm 

TOLERANCE ±0.5mm

TITLE N SEN, M12 A, SCREW CABLE W/O SR, F, F, MOLDING

SCALE 3:2 SIZE A4 SHEET 2 OF 2

REV. G WC-REV. A.2

◎: Inspection item

Amphenol LTW

安費諾亮泰企業股份有限公司

ITEM NO	DRAWN BY	DATE
DWG NO	CHECKED BY	DATE
CUSTOMER	APPROVED BY	DATE

ALTW

THIS DOCUMENT IS SUBJECT TO CHANGE WITHOUT NOTICE. IT IS CONFIDENTIAL AND A PROPERTY OF Amphenol LTW. DISCLOSURE TO THIRD PARTY HAS TO BE AUTHORIZED BY Amphenol LTW. W10814-03-0001A2