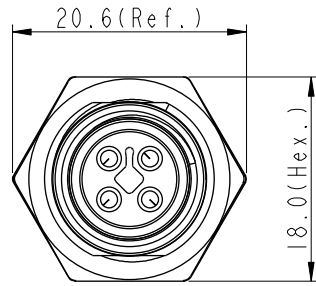
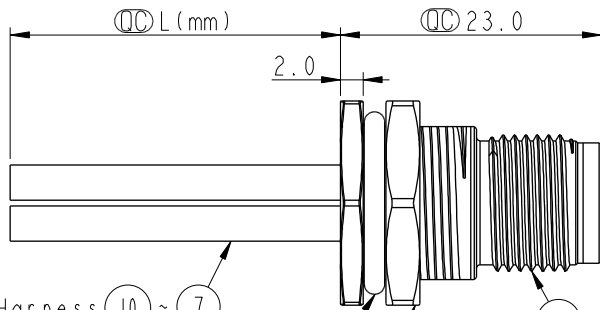
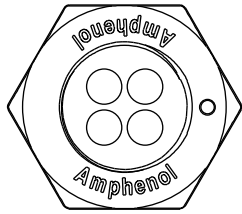


THIS DOCUMENT IS SUBJECT TO CHANGE WITHOUT NOTICE. IT IS CONFIDENTIAL AND A PROPERTY OF Amphenol LTW. DISCLOSURE TO THIRD PARTY HAS TO BE AUTHORIZED BY Amphenol LTW.

REV.	ECN NO.	DATE	SIGN	DESCRIPTION
A	Initial Release	2015/03/04	Cary	Change Rev. 01 to Rev.A
B	LE317A0018-0019	2017/10/15	Feng_Li	Update The Note
C	CI91643	2019/09/20	Vicky	Update Wire Tolerance

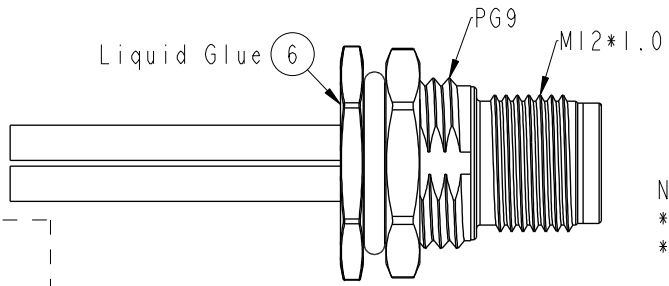
ALTW
CONFIDENTIAL
 2019-09-20
R&D DEPT.



M12T-04PMMS-SF8BXX/C

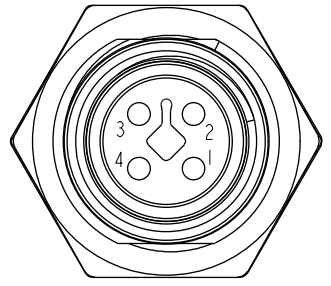
15: 150mm
 20: 200mm
 95: 950mm
 Cable Pitch Unit: 50mm
 A0: 1000mm
 A5: 1500mm
 Cable Pitch Unit: 100mm
 Wire Length(L): 150~1500mm

Wire Harness ⑩ ~ ⑦
 O-Ring ④
 Screw Nut ⑤
 ① Connector
 ② Male Pin
 ③ Shield

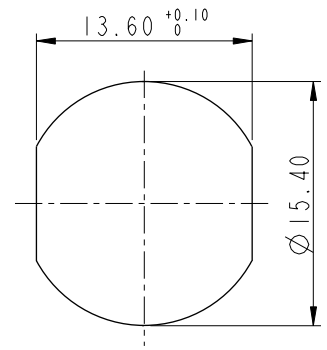


Note:

- * \varnothing Important Dimension.
- * Waterproof Rate: IP68.
- * IP68: 1M Depth Of Water In 24hours.
- * Housing: Nylon+GF, UL94V-0, Black.
- * Male Pin: Copper Alloy, Gold Plated.
- * Shield: Zinc Alloy, Nickel Plated.
- * Panel Nut: Zinc Alloy, Nickel Plated.
- * O-Ring: Viton, Black.
- * Wire Harness: UL1015 16AWG(1.5mm²).
- * Rated Voltage: 60V DC.
- * Rated Current at 40°C: 12A
- * Operation Temperature: -40~85°C.
- * For Panel Thickness Max 4.5mm.
- * Nut Torque: 4-6 Kgf.cm(0.4~0.6N.m).
- * Wire harness Tolerance: 150~300 ±15mm
301~1000 ±20mm
Over1000 +50/-0mm



Pin Assignment
Front View



Recommended
Panel Cut-Out

4	Black	黑
3	Blue	藍
2	White	白
1	Brown	棕
Conn.	Wire Color	Pin Out

UNIT:mm		
TOLERANCE	.X ±0.25	
.XX	±0.1	
.XXX	±0.05	
ANGLES	±1°	

TITLE M12 T-Code 4Pin Male Type			
SCALE 1:1	SIZE A4	SHEET 1 OF 1	
REV. C	WC-REV. A.3	\varnothing : Inspection item	

Amphenol LTW
安費諾亮泰企業股份有限公司

ITEM NO	DRAWN BY Vicky	DATE 2019-09-20
DWG NO M12T-04PMMS-SF8BXX	CHECKED BY Rita	DATE 2019-09-20
CUSTOMER ALTW	APPROVED BY Max	DATE 2019-09-20