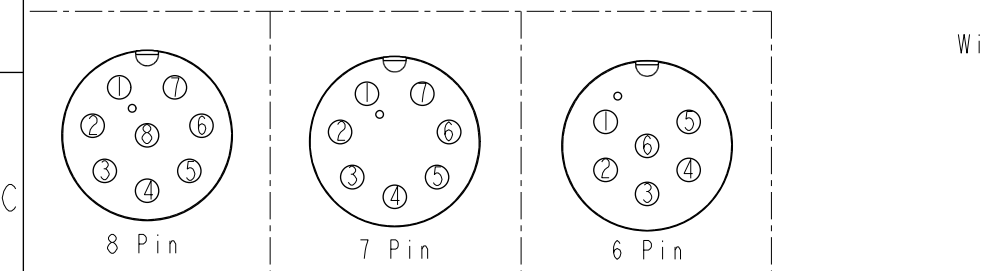
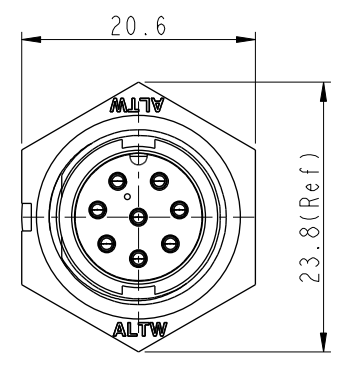
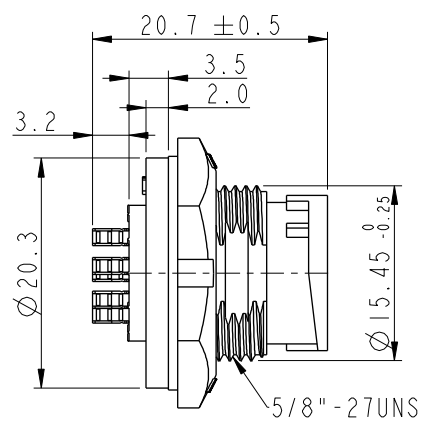
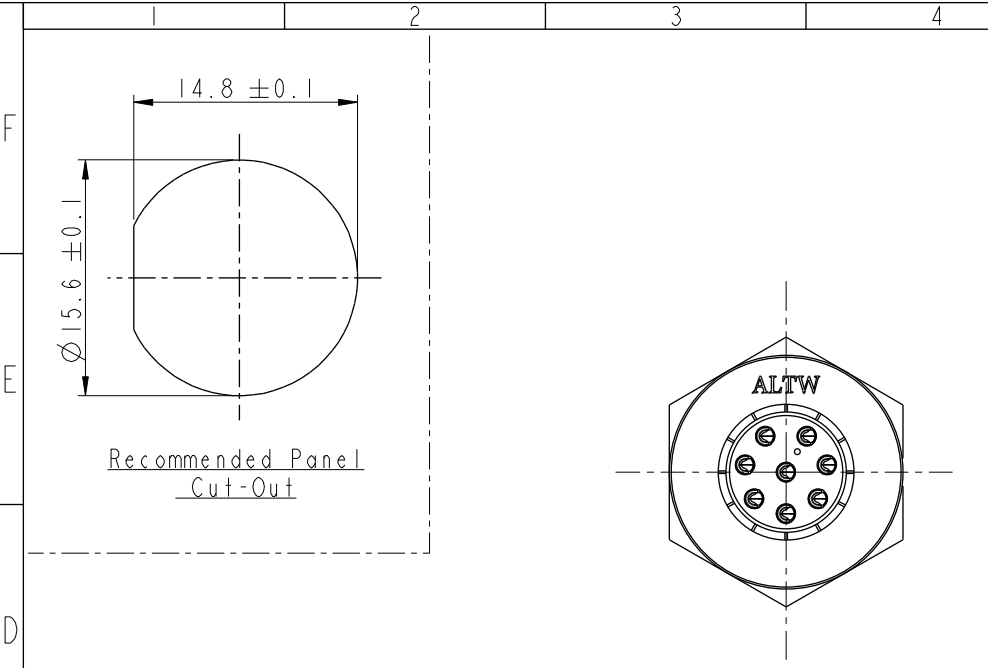
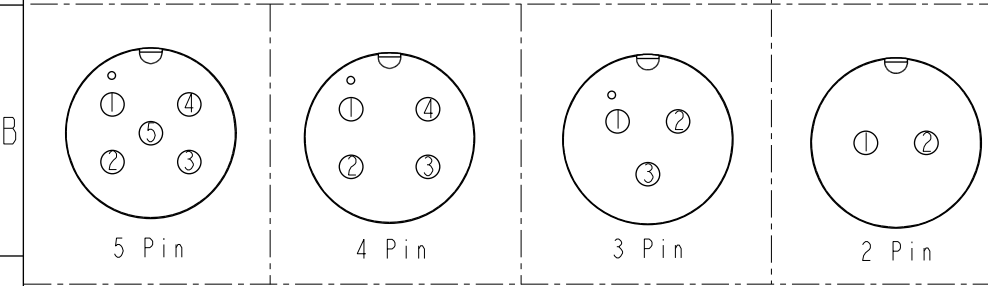


THIS DOCUMENT IS SUBJECT TO CHANGE WITHOUT NOTICE. IT IS CONFIDENTIAL AND A PROPERTY OF AMPHENOL LTW. DISCLOSURE TO THIRD PARTY HAS TO BE AUTHORIZED BY AMPHENOL LTW.

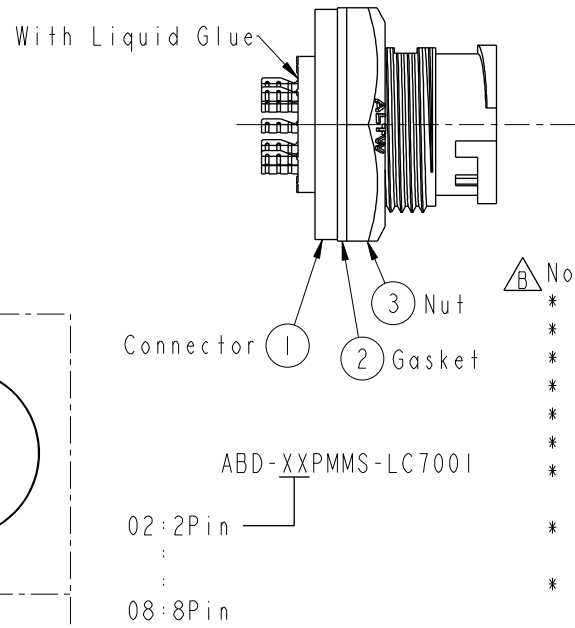
REV.	ECN NO.	DATE	SIGN	DESCRIPTION
B	C190346	2019/03/05	Vicky	Change Note



Pin Assignments Front View



Pin Assignments Front View



- Note:**
- * CC Important Dimension To Check.
 - * Waterproof Rate: IP67, Unmated.
 - * Housing: Thermoplastic, Black.
 - * Pin: Copper Alloy, Gold Plated.
 - * Nut: Thermoplastic, Black.
 - * Gasket: Rubber, Gray.
 - * Use with waterproof cap or dust cap
Maximum Panel Thickness: 2.8mm
 - * Use without waterproof cap or dust cap
Maximum Panel Thickness: 4.0mm
 - * Gasket and Nut are packed separately in PE bags. (Gasket/Nut 不組裝, 散裝出貨)

UNIT: mm			TITLE STANDARD PANEL LOCK M CONN M PIN		
TOLERANCE	.X ±0.25	.XX ±0.1	SCALE 3:2	SIZE A4	SHEET 1 OF 1
.XXX ±0.05	ANGLES ±1°	REV. B	WC-REV. A.1	CC : Inspection item	

Amphenol LTW
安費諾亮泰企業股份有限公司

ITEM NO.	DRAWN BY	DATE
DWG NO. ABD-XXPMMS-LC7001	Vicky	2019-03-05
CUSTOMER ALTW	CHECKED BY Rita	DATE 2019-03-05
	APPROVED BY Max	DATE 2019-03-05