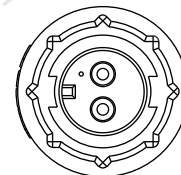
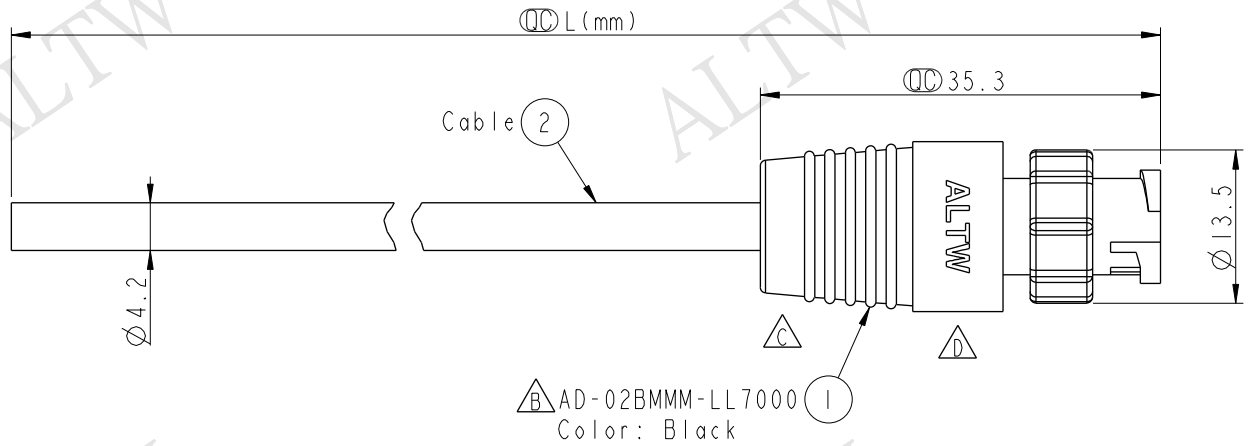
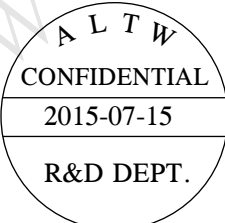


THIS DOCUMENT IS SUBJECT TO CHANGE WITHOUT NOTICE. IT IS CONFIDENTIAL AND A PROPERTY OF AMPHENOL LTW. DISCLOSURE TO THIRD PARTY HAS TO BE AUTHORIZED BY AMPHENOL LTW.

REV.	ECN NO.	DATE	SIGN	DESCRIPTION
B	LEN-040130	2010/04/14	Rex	Conn. Change
C	LE31110097-100	2011/01/20	Vicky	Mini Size Molding 外觀變更
D	LEN1580057-060	2015/07/15	Vicky	Update Logo

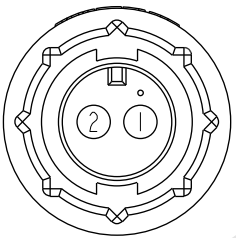


Conn.



AD-02BMMM-LL7AXX
 XX: 01~99Meters
 01: 01Meter
 02: 02Meters
 ...
 99: 99Meters
 Cable Length(L): 01~99Meters

- Note:
- * \varnothing Important Dimension
 - * Waterproof Rate: IP67
 - * Connector: Nylon+GF, Black
 - * Male Pin: Copper Alloy, Gold Plated
 - * Cable: UL2464 24AWG*2C+D+A, Black, PVC Jacket, UV Resistant, OD=4.2mm
 - * Cable Length Tolerance: 01M:±40mm
 02M~05M:±100mm
 06M~10M:±100mm
 11M~30M:±200mm
 31M~99M:±500mm



Pin Assignments Front View

2	Red	紅
1	Black	黑
Conn.	Wire Color	
Pin Out		

UNIT:mm TOLERANCE ±0.5 mm	TITLE Mini, Cable Lock 2P M Conn M Pin			Amphenol LTW 安費諾亮泰企業股份有限公司	ITEM NO	DRAWN BY Vicky	DATE 2015-07-15
	SCALE 3:2	SIZE A4	SHEET 1 OF 1		DWG NO AD-02BMMM-LL7AXX	CHECKED BY Rita	DATE 2015-07-15
	REV. D	WC-REV. A.3	\varnothing : Inspection item		CUSTOMER ALTW	APPROVED BY Lion	DATE 2015-07-15