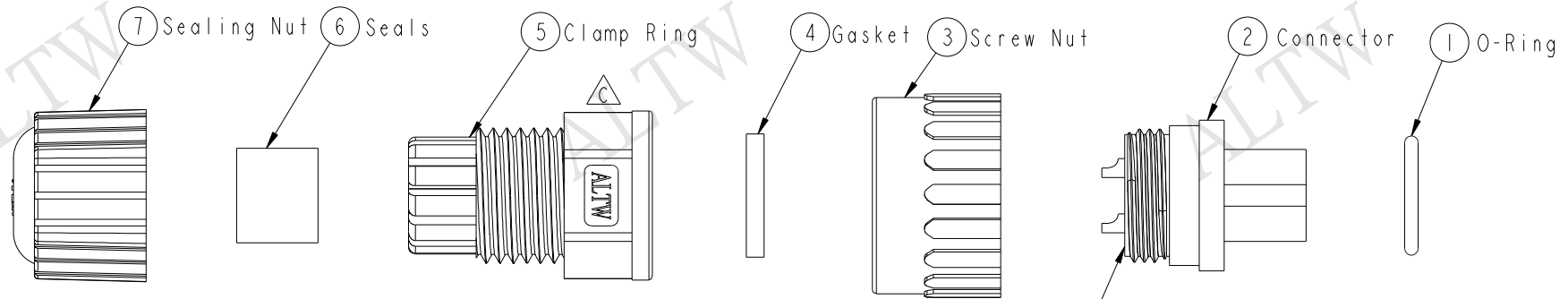


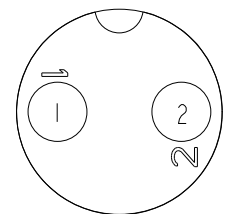
| REV. | ECN NO.    | DATE       | SIGN   | DESCRIPTION    |
|------|------------|------------|--------|----------------|
| B    | LEN-870141 | 2008/07/25 | Yuri   | Update Drawing |
| C    | LEN1580261 | 2015/05/28 | Jinhai | Change Logo    |



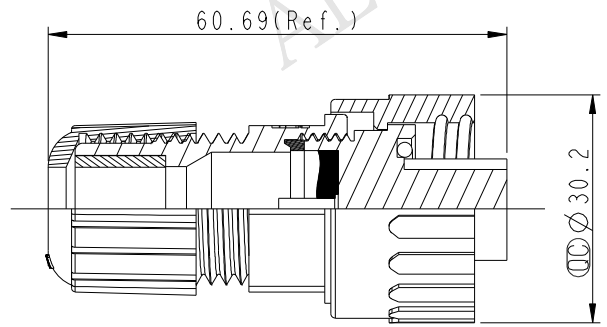
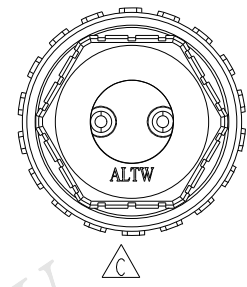
With Liquid Glue  
點防水膠

ALTW  
CONFIDENTIAL  
2015-05-28  
R&D DEPT.

ALTW  
DCC. DEPT.  
CONFIDENTIAL  
2015.08.19  
ISSUED



Pin Assignments  
Front View 前視圖



- Note:
- \* Waterproof Rate : IP67
  - \*  $\text{CC}$  Important Dimension.  
( $\text{CC}$  為重點檢驗尺寸)
  - \* Seals for Cable OD:  $\varnothing 5.5\text{mm} \sim \varnothing 10.8\text{mm}$   
(防水墊圈限用線徑:  $\varnothing 5.5\text{mm} \sim \varnothing 10.8\text{mm}$ )
  - \* One Set Unassembled in One LTW Sealed Bag  
(每一組未組裝, 放置於一個 LTW 封口袋)
  - \* Housing: Nylon+GF, Black
  - \* Female Pin: Copper Alloy, Gold Plated
  - \* O-ring: EPDM, Black
  - \* Screw Nut: Nylon+GF, Black
  - \* Gasket: Silicone, Black
  - \* Clamp Ring: Nylon, Black
  - \* Seals: EPDM, Black
  - \* Sealing Nut: Nylon, Black

|           |  |  |
|-----------|--|--|
| UNIT:mm   |  |  |
| TOLERANCE |  |  |
| ±0.5 mm   |  |  |

|  |                |                               |  |
|--|----------------|-------------------------------|--|
| TITLE<br>Power, Assy Screw 2Pin F Conn F Pin |                |                               |  |
| SCALE<br>1:1                                 | SIZE<br>A4     | SHEET<br>1 OF 1               |  |
| REV.<br>C                                    | WC-REV.<br>A.1 | $\text{CC}$ : Inspection item |  |

**Amphenol LTW**  
安費諾亮泰企業股份有限公司

|                              |                      |                    |
|------------------------------|----------------------|--------------------|
| ITEM NO<br>PWF-02BFFA-SL7001 | DRAWN BY<br>Jinhai   | DATE<br>2015-05-28 |
| DWG NO<br>PWF-02BFFA-SL7001  | CHECKED BY<br>Tom    | DATE<br>2015-05-28 |
| CUSTOMER<br>ALTW             | APPROVED BY<br>Jerry | DATE<br>2015-05-28 |

THIS DOCUMENT IS SUBJECT TO CHANGE WITHOUT NOTICE. IT IS CONFIDENTIAL AND A PROPERTY OF AMPHENOL LTW. DISCLOSURE TO THIRD PARTY HAS TO BE AUTHORIZED BY AMPHENOL LTW.